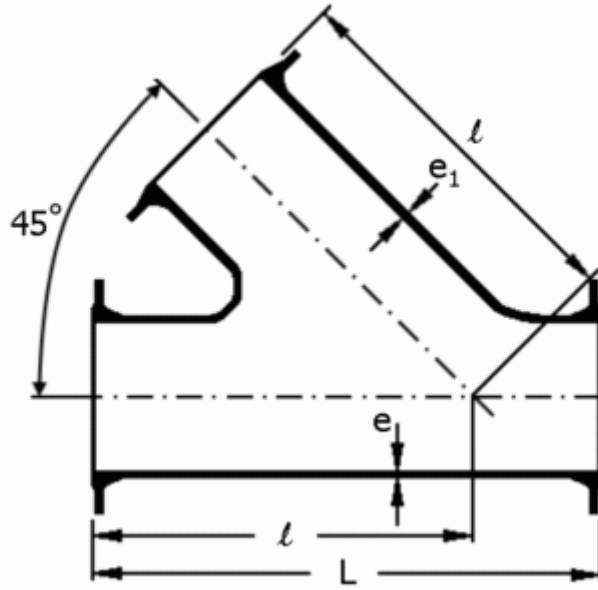




45° Angle Branch All Flanged Tee



K=14

Unit: mm

Body			Branch			Weight (kg)			
DN	e	L	dn	e ₁	l	PN 10	PN 16	PN 25	PN 40
80	8.1	500	80	8.1	375	20.8	20.8	20.8	20.8
100	8.4	520	80	8.1	390	24.0	24.0	25.0	25.0
	8.4	540	100	8.4	405	26.1	26.1	27.6	27.6
150	9.1	570	80	8.1	430	34.8	34.8	36.8	41.0
	9.1	590	100	8.4	445	37.2	37.2	39.7	43.9
200	9.1	640	150	9.1	480	44.3	44.3	47.3	53.6
	9.8	640	100	8.4	490	51.0	50.6	55.3	65.9
	9.8	690	150	9.1	525	58.8	58.4	63.6	76.3
250	9.8	735	200	9.8	560	67.8	67.2	73.5	89.4
	10.5	740	150	9.1	570	77.6	76.8	85.6	107.9
	10.5	785	200	9.8	605	87.3	86.3	96.2	121.7
300	10.5	830	250	10.5	640	98.9	97.7	109.4	139.7
	11.2	785	150	9.1	605	99.2	98.4	110.6	143.7
	11.2	830	200	9.8	640	109.4	108.4	121.7	158.0
350	11.2	885	250	10.5	680	122.7	121.5	136.6	177.7
	11.2	930	300	11.2	715	137.3	136.1	152.9	199.4
	11.9	755	200	9.8	680	119.7	125.7	144.4	-
	11.9	795	250	10.5	715	132.2	138.0	158.5	-
	11.9	840	300	11.2	755	147.3	153.1	175.3	-
400	11.9	880	350	11.9	790	161.2	170.5	195.4	-
	12.6	810	200	9.8	725	144.7	155.7	180.4	-
	12.6	840	250	10.5	755	156.6	167.4	193.9	-
	12.6	880	300	11.2	790	171.5	182.3	210.5	-
	12.6	930	350	11.9	835	188.0	202.3	233.2	-
	12.6	970	400	12.6	870	205.1	221.9	255.8	-



K=14 Unit: mm

DN	Body		Branch			Weight (kg)			
	e	L	dn	e ₁	l	PN 10	PN 16	PN 25	PN 40
450	13.3	900	250	10.5	805	185.8	202.6	237.5	-
	13.3	930	300	11.2	835	199.9	216.7	253.3	-
	13.3	970	350	11.9	870	215.2	235.5	274.8	-
	13.3	1015	400	12.6	910	234.7	257.5	299.8	-
	13.3	1060	450	13.3	950	254.5	280.3	326.8	-
500	14.0	930	250	10.5	835	217.1	247.1	274.4	-
	14.0	970	300	11.2	870	233.6	263.6	292.6	-
	14.0	1015	350	11.9	915	251.2	284.7	316.4	-
	14.0	1060	400	12.6	955	270.5	306.5	341.2	-
	14.0	1100	450	13.3	990	291.1	330.1	369.0	-
600	14.0	1140	500	14.0	1025	324.9	370.9	405.6	-
	15.4	1060	300	11.2	955	316.7	369.3	403.3	-
	15.4	1110	350	11.9	1000	337.8	393.9	430.6	-
	15.4	1140	400	12.6	1025	355.0	413.6	453.3	-
	15.4	1180	450	13.3	1065	377.7	439.3	483.2	-
	15.4	1220	500	14.0	1100	402.4	470.6	510.7	-
	15.4	1310	600	15.4	1180	464.8	544.3	586.9	-

SHIN NAN CASTING FACTORY CO., LTD.

SHIN NAN CASTING FACTORY CO., LTD.

SHIN NAN CASTING FACTORY CO., LTD.

SHIN NAN CASTING FACTORY CO., LTD.

SHIN NAN CASTING FACTORY CO., LTD.

SHIN NAN CASTING FACTORY CO., LTD.

SHIN NAN CASTING FACTORY CO., LTD.